

## Proportional Solenoid

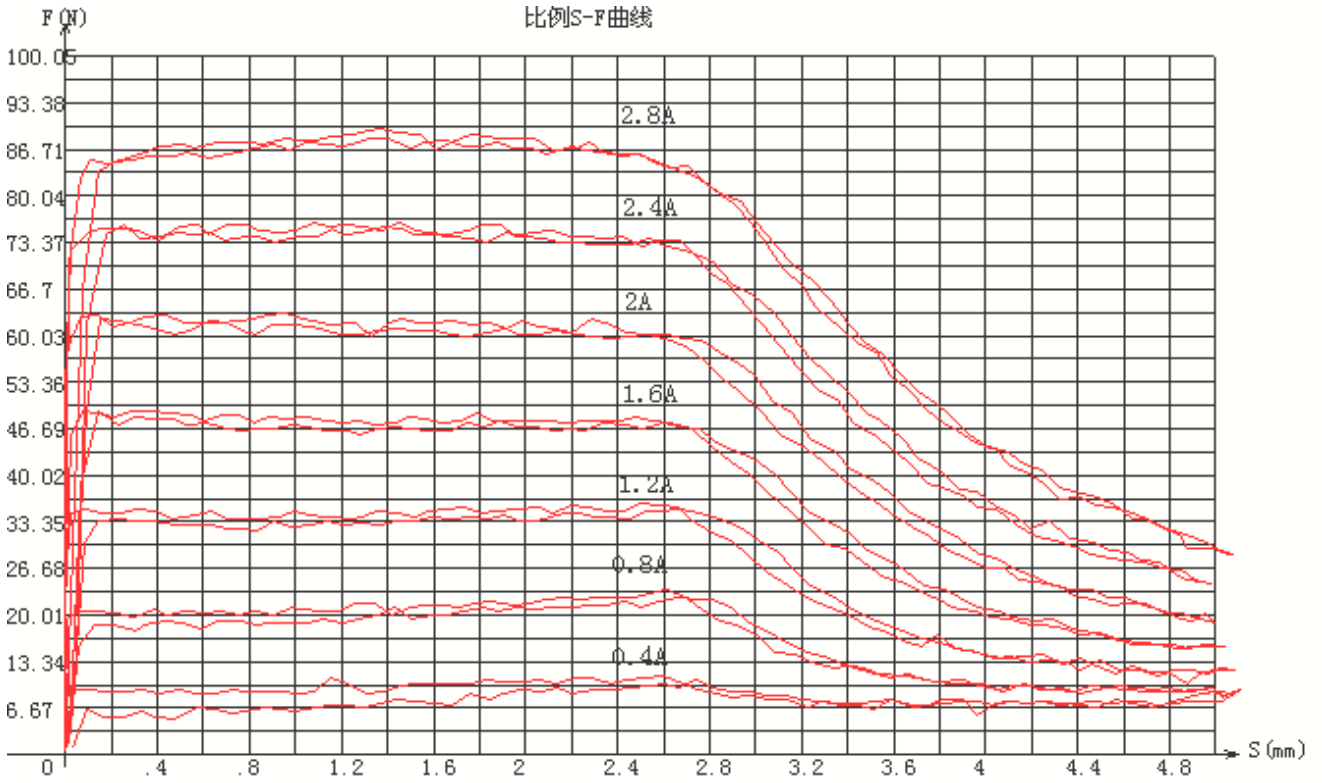
Product Code: PM-H6-045T

SM-CCBZ-021

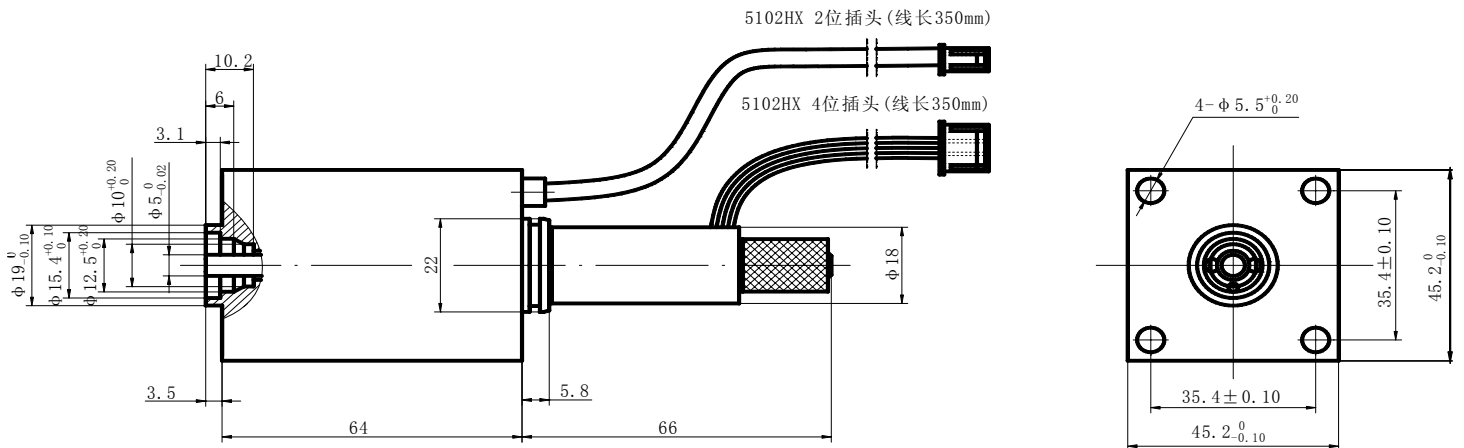
### Technical Parameters

Rated Voltage (V)	12	Rated current (mA)	2800
Resistance ( $\Omega/20^{\circ}\text{C}$ )	$2.2 \pm 1$	Rated Force (N)	86
Oil Pressure Duration(MPa)	21	IP Grade	IP65

### S—F CURVE



### Outside shape and installation dimensions



2010. 09. 09