

Proportional Solenoid

Product Code: PM-H10-060T

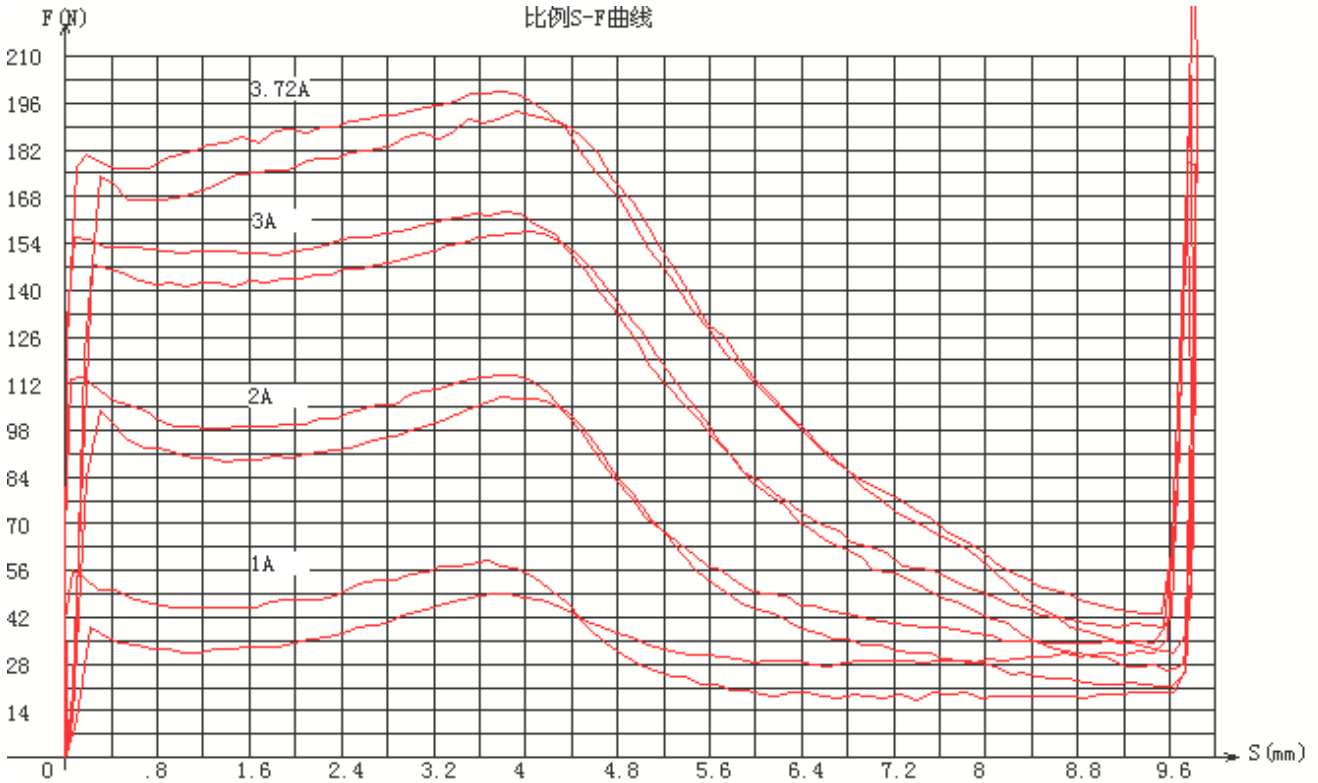
SM-060T-0726

Technical Parameters

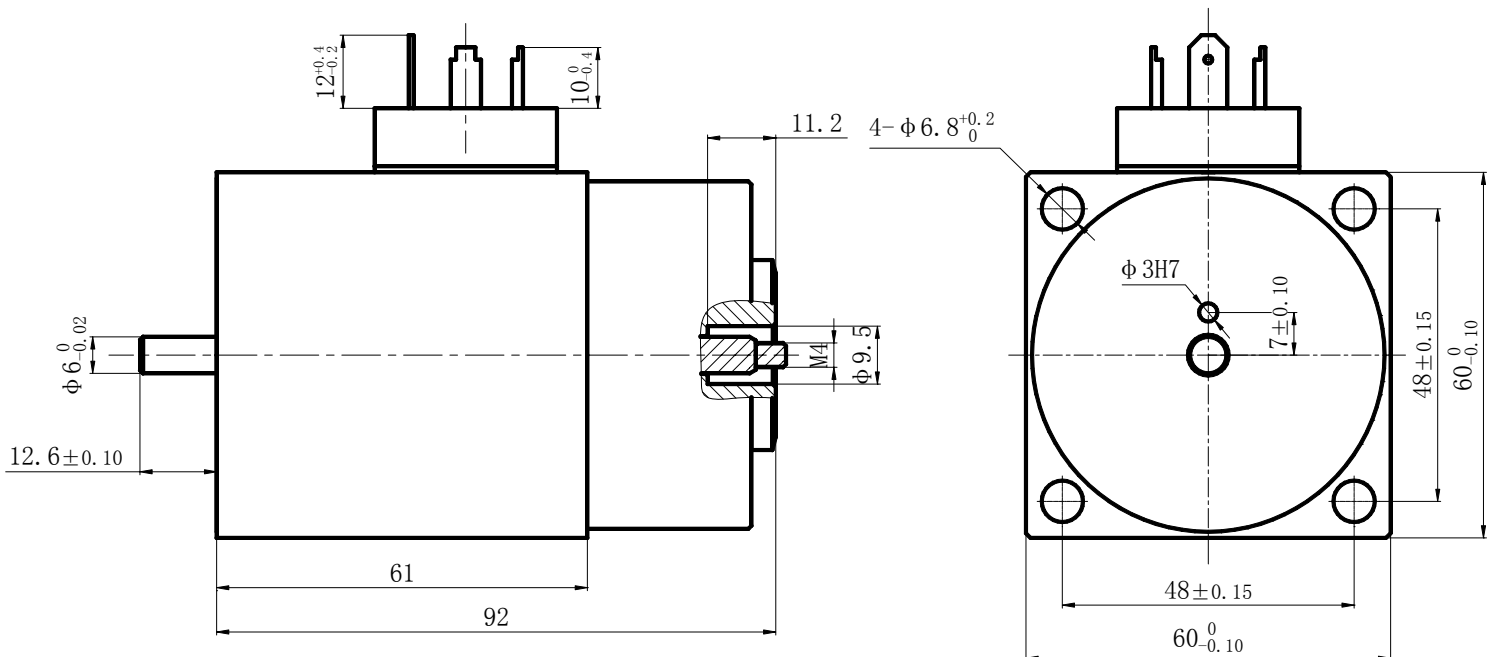
Rated Voltage (V)	9.7	Rated current (mA)	3.72
Resistance ($\Omega/20^\circ\text{C}$)	2.5 ± 0.2	Rated Force (N/3.6mm 处)	190 ± 1
Push rod length (mm)	12.6 ± 0.1	Duty Time (%)	100
Oil Pressure Duration (MPa)	21	IP Grade	IP65

S—F CURVE

测试电流: 3.72A



Outside shape and installation dimensions



2010. 07. 26