

Switch Solenoid

Model NO.: J12-27YC

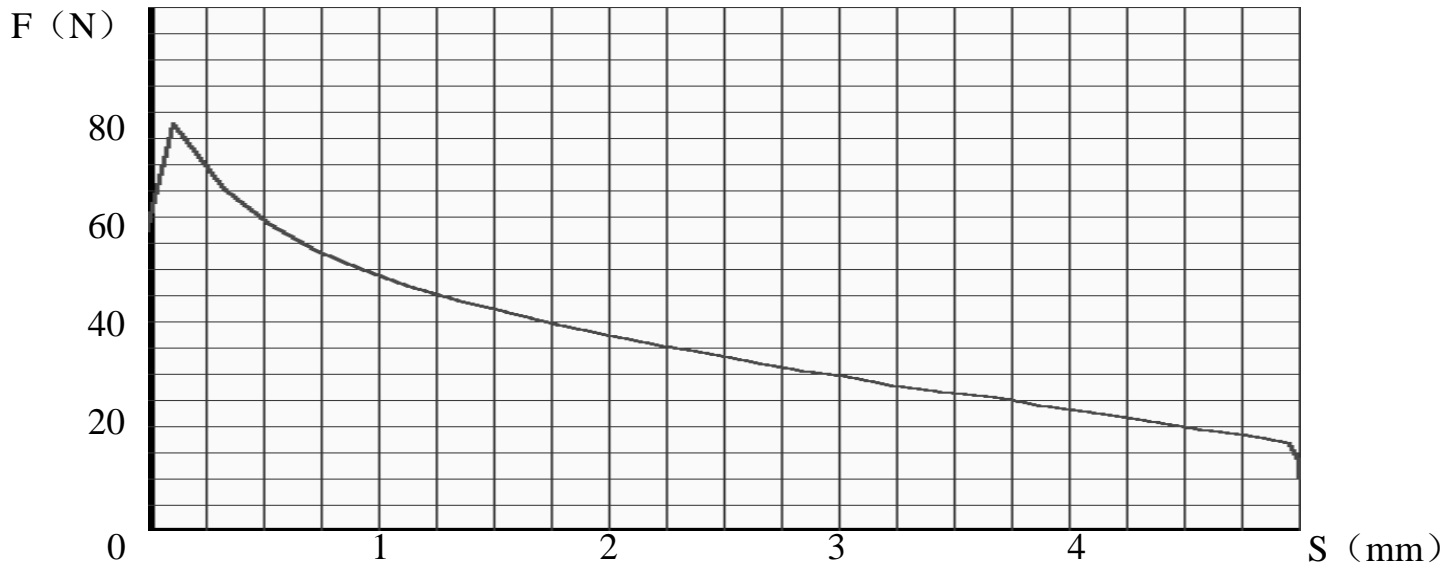
SM-CCBZ-006

Technical Parameters

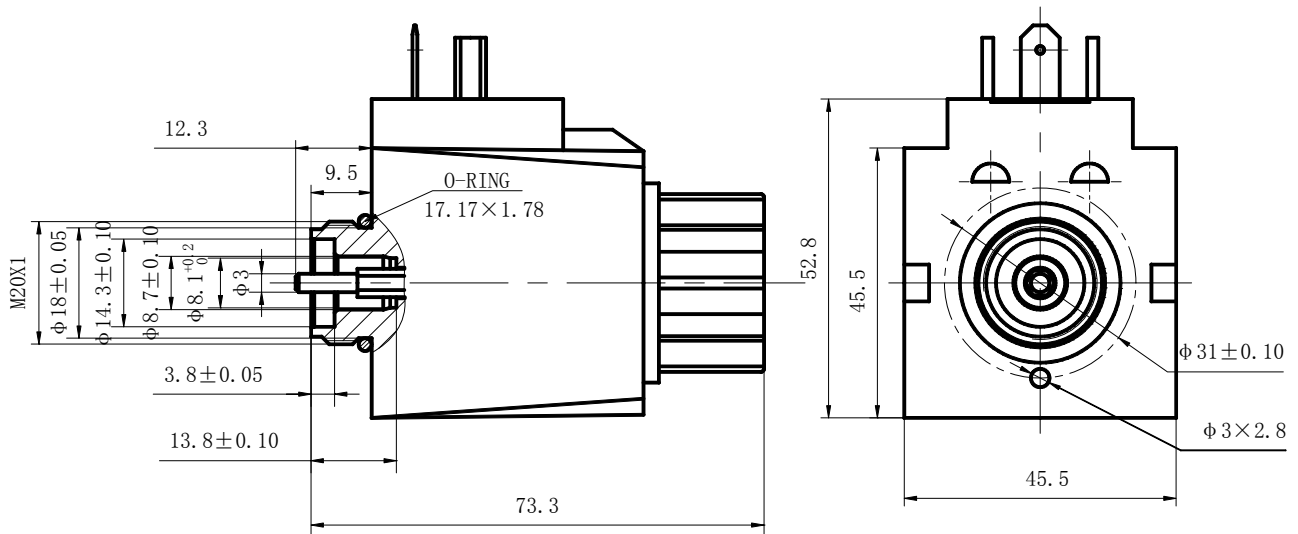
Power type	AC	Rated Voltage (V)	220/50HZ
Voltage Range (%)	±10	Power Consumption (W)	24
Stable Current (A)	0.2	Cold Current (A)	0.24
Temperature Rise (K)	99	Stable force (N)	≥27
Full Stroke (mm)	≥6.5	Rated Stroke (mm)	2.8
Isolation Grade	H/180°C	Duty Time (%)	100
Oil Pressure Duration(MPa)	21	IP Grade	IP65
Max Switch Frequency (t/h)	12000	Life Cycle (t)	10X10 ⁶

Stable S—F CURVE

testing current: 0.2A



Outside shape and installation dimensions



2010.10.15 日