

# Switch Solenoid

Model NO.: Z11H-90YC

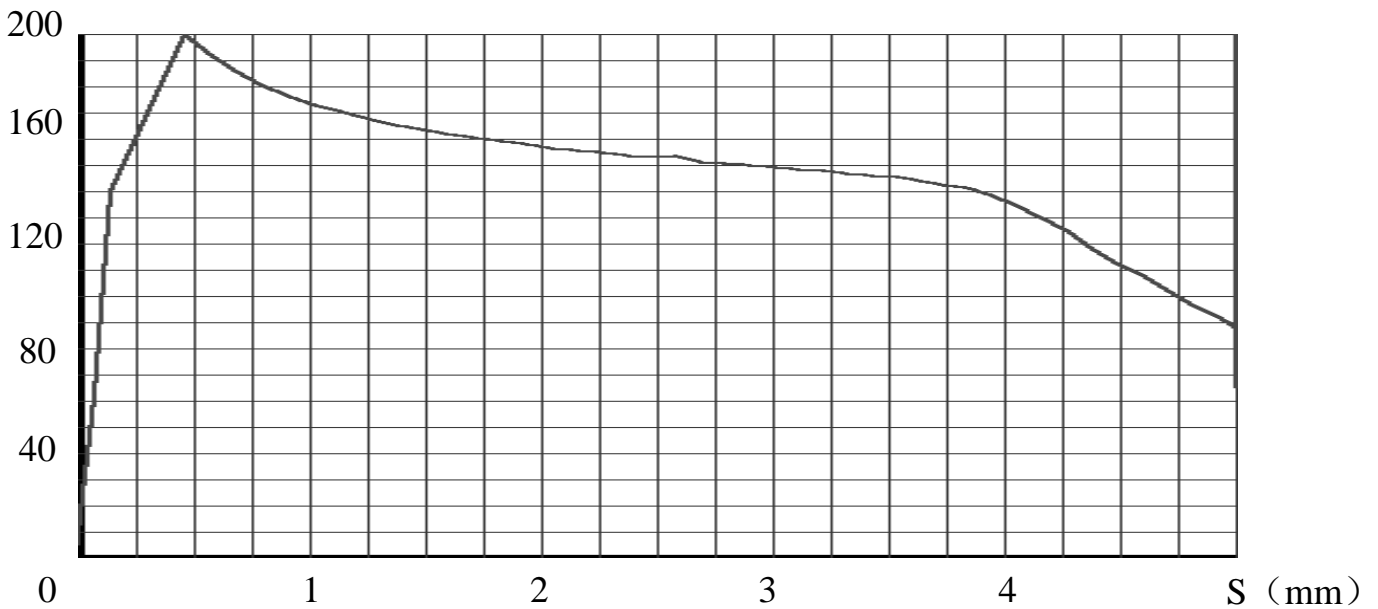
SM-CCBZ-002

## Technical Parameters

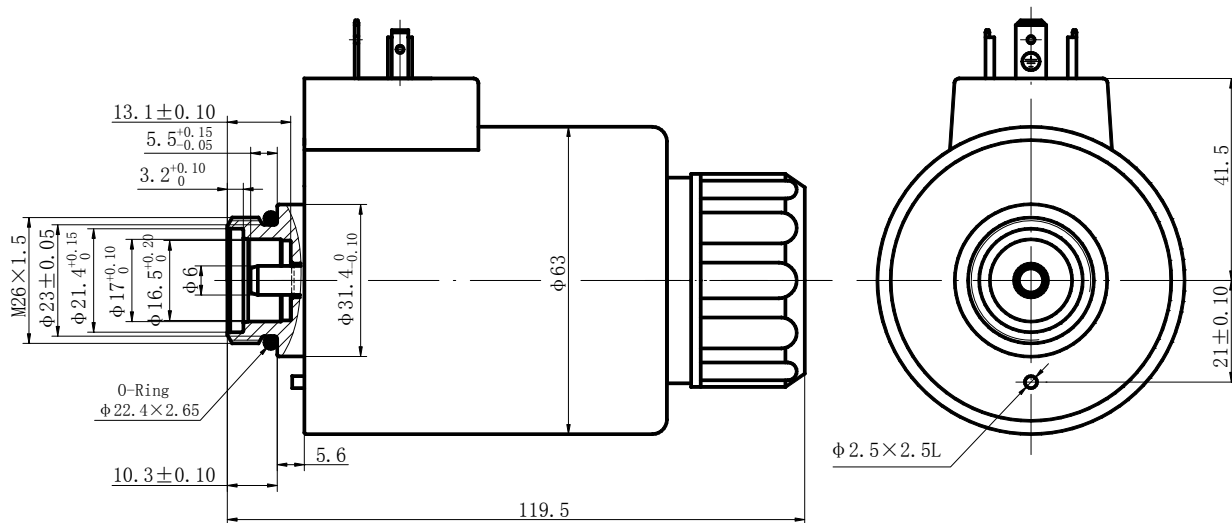
Power type	DC	Rated Voltage (V)	24
Voltage Range (%)	±10	Power Consumption (W)	38
Stable Current (A)	1.15	Cold Status Current (A)	1.6
Temperature Rise (K)	78	Stable force (N)	≥90
Full stroke (mm)	9	Rated stroke (mm)	4
Isolation Grade	H/180°C	Duty Time (%)	100
Oil Pressure Duration (MPa)	21	IP Grade	IP65
Max Switch Frequency (t/h)	15000	Life Cycle (t)	10X10 <sup>6</sup>

## Stable S—F CURVE

testing current: 1.15A



## Outside shape and installation dimensions



2010. 10. 15