

Switch Solenoid

Model NO.: J12-54YC

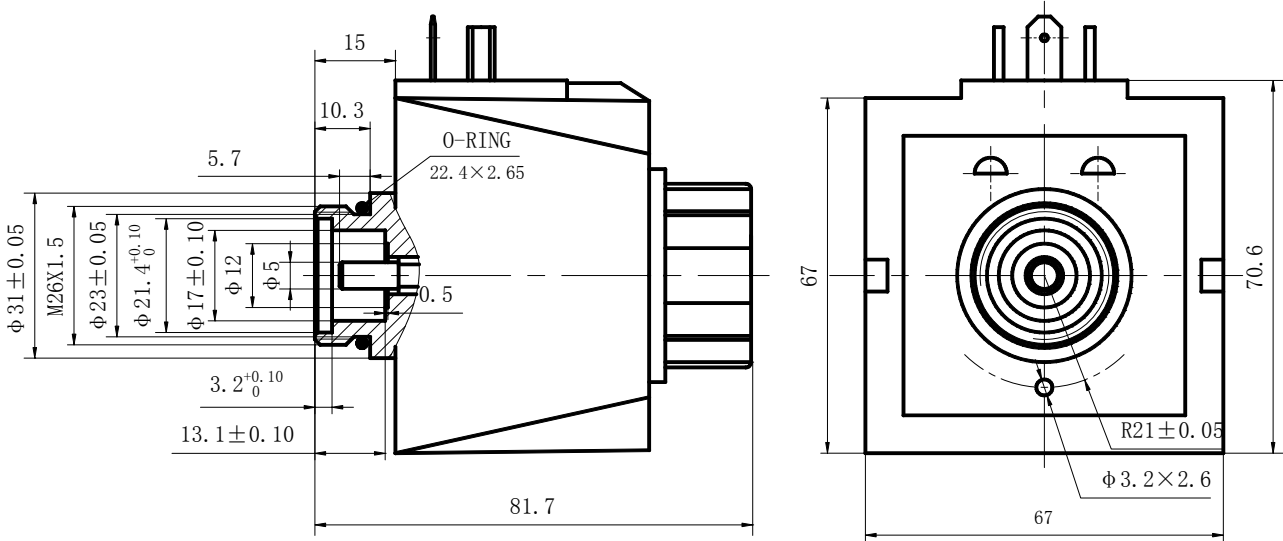
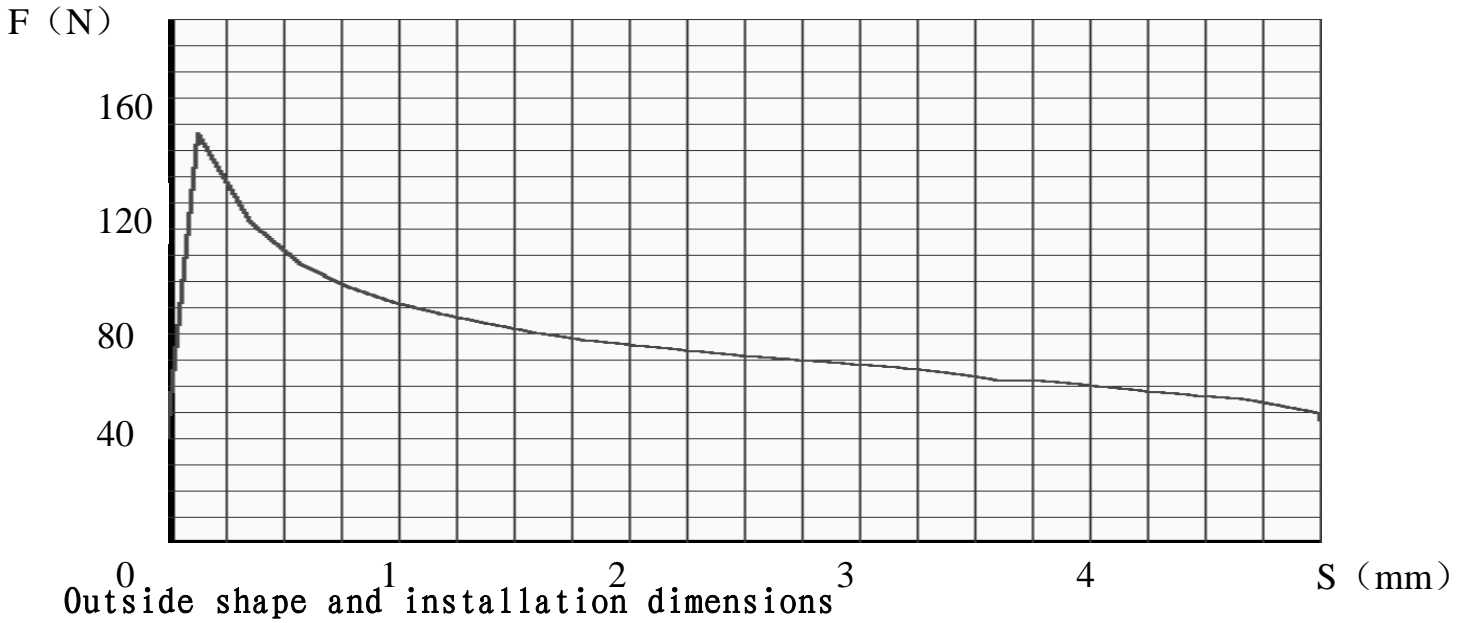
SM-CCBZ-005

Technical Parameters

Power type	AC	Rated Voltage (V)	220/50HZ
Voltage Range (%)	±10	Power Consumption(W)	46
Stable Current (A)	0.35	Cold Current (A)	0.41
Temperature Rise (K)	99	Stable force (N)	≥54
Full Stroke (mm)	≥9	Rated Stroke (mm)	4
Isolation Grade	H/180°C	Duty Time (%)	100
Oil Pressure Duration (MPa)	21	IP Grade	IP65
Max Switch Frequency (t/h)	12000	Life Cycle (t)	10X10 ⁶

Stable S—F CURVE

testing current: 0.35A



2010.10.15