

Proportional Solenoid

Product Code: GP80-4-A3

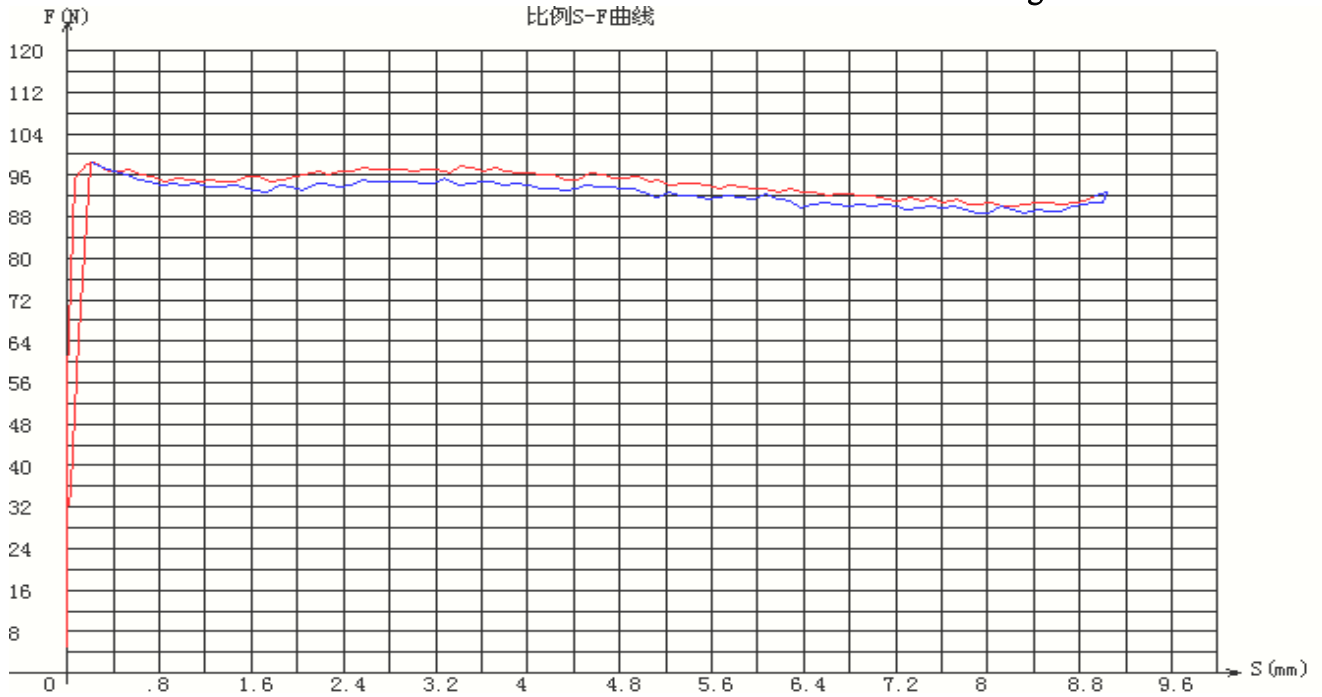
SM-CCBZ-012

Technical Parameters

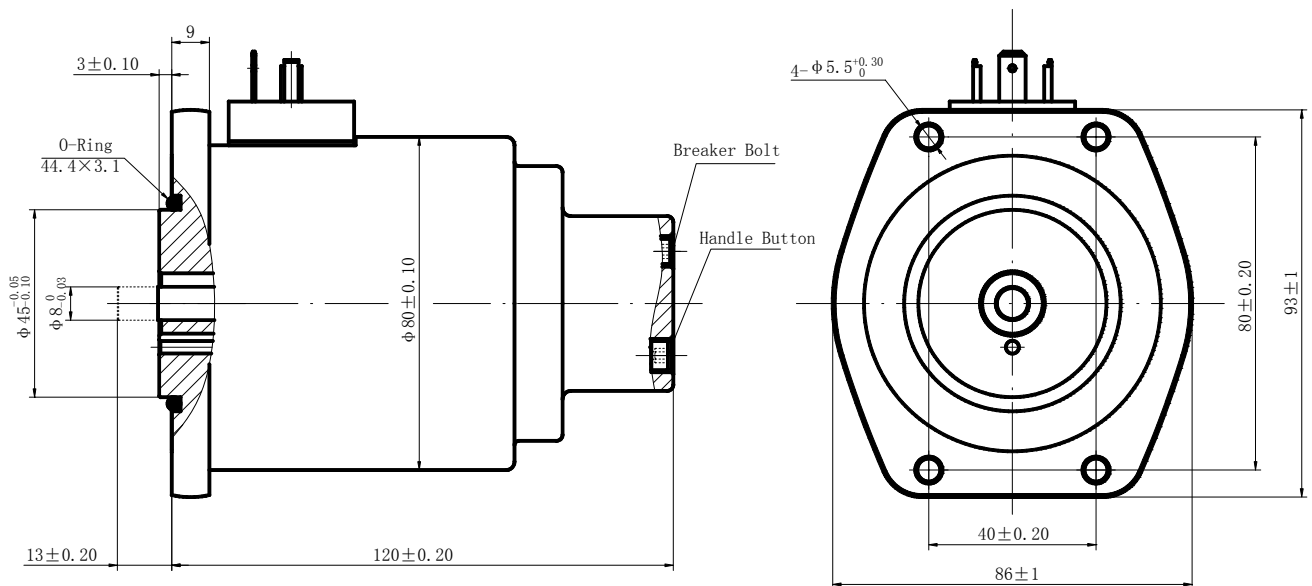
| | | | |
|--|--------------|--------------------------------|--------------------|
| Rated Voltage (V) | 36 | Rated current (mA) | 600 |
| Resistance ($\Omega/20^{\circ}\text{C}$) | 45.1 ± 1 | Rated Force (N) | 94 ± 1 (1mm 处) |
| Force Lag Characteristic (%) | 3 | Current Lag Characteristic (%) | 3 |
| Repeat Accuracy (%) | 1 | Duty Time (%) | 100 |
| Push rod length (mm) | 13 ± 0.2 | Push back length (mm) | $3^{+0.5}_0$ |
| Oil Pressure Duration (MPa) | 21 | IP Grade | IP65 |

S-F CURVE

Testing Current: 0.60A



Outside shape and installation dimensions



2010. 09. 09