

# Switch Solenoid

Model NO.: MFZ9C-90YC (03 D24)

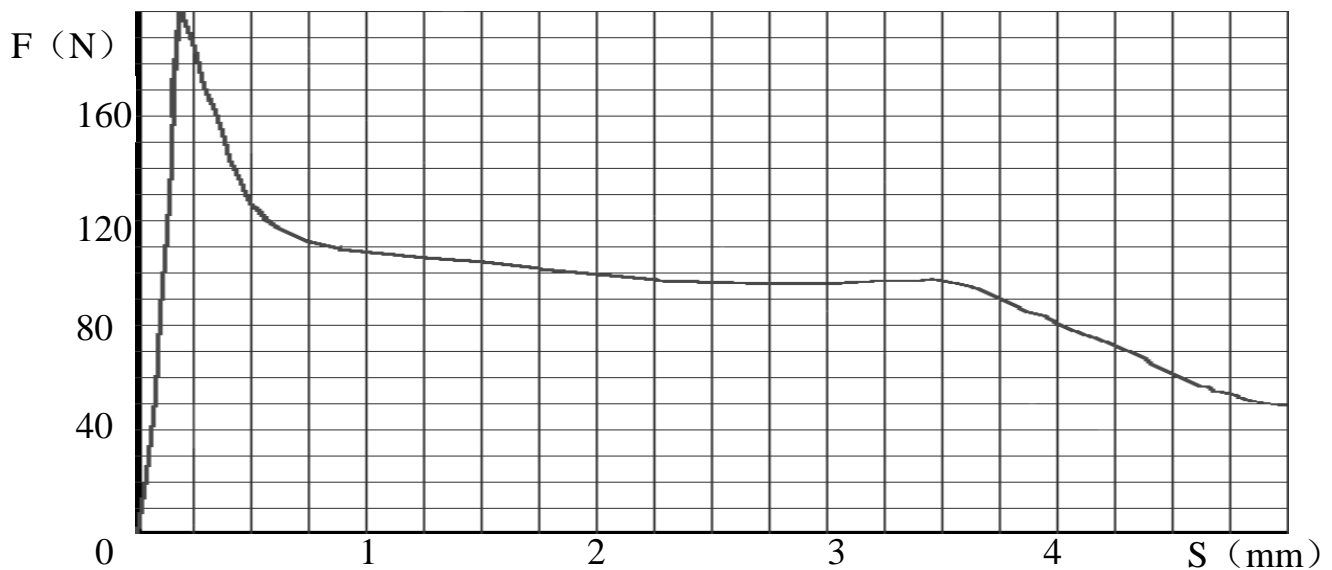
SM-CCBZ-004

## Technical Parameters

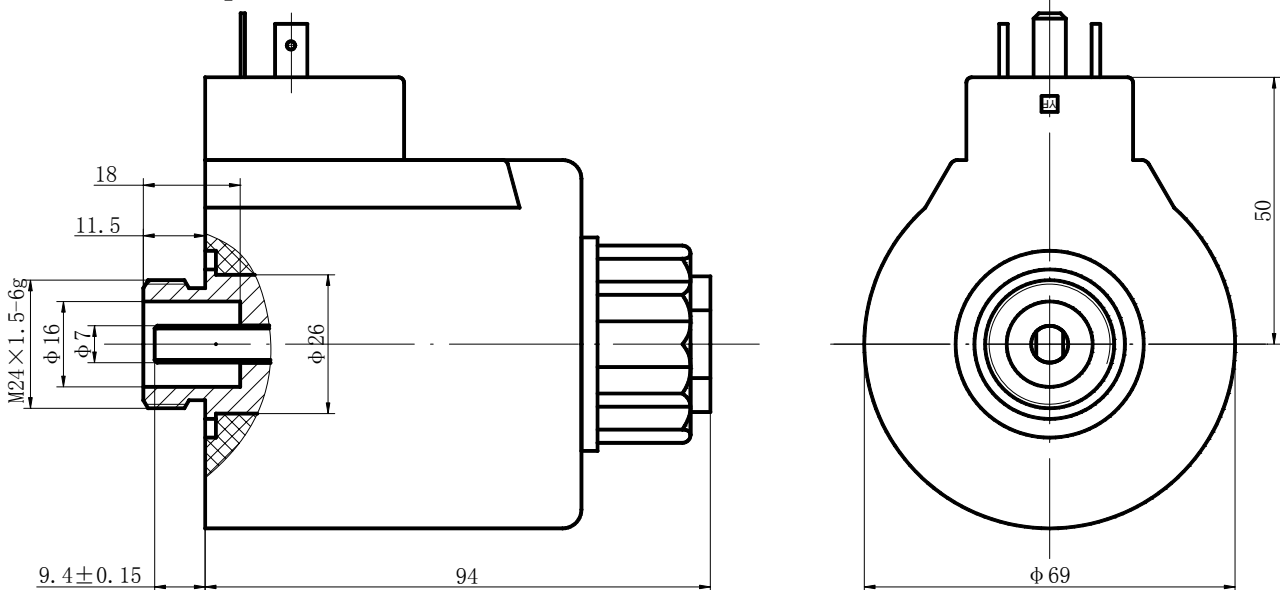
Rated Voltage (V)	DC 24	Power Consumption (W)	38
Stable Current (A)	0.99	Cold Status Current (A)	1.6
Stable force (N)	$\geq 80$	Duty Time (%)	100
Full stroke (mm)	$\geq 8$	Rated stroke (mm)	4
Isolation Grade	H/180°C	Temperature Rise (K)	110

## Stable S—F CURVE

testing current: 0.99A



## Outside shape and installation dimensions



2011.10.10