

Switch Solenoid

Model NO.: MFZ9C-47YCA

(01 D24)

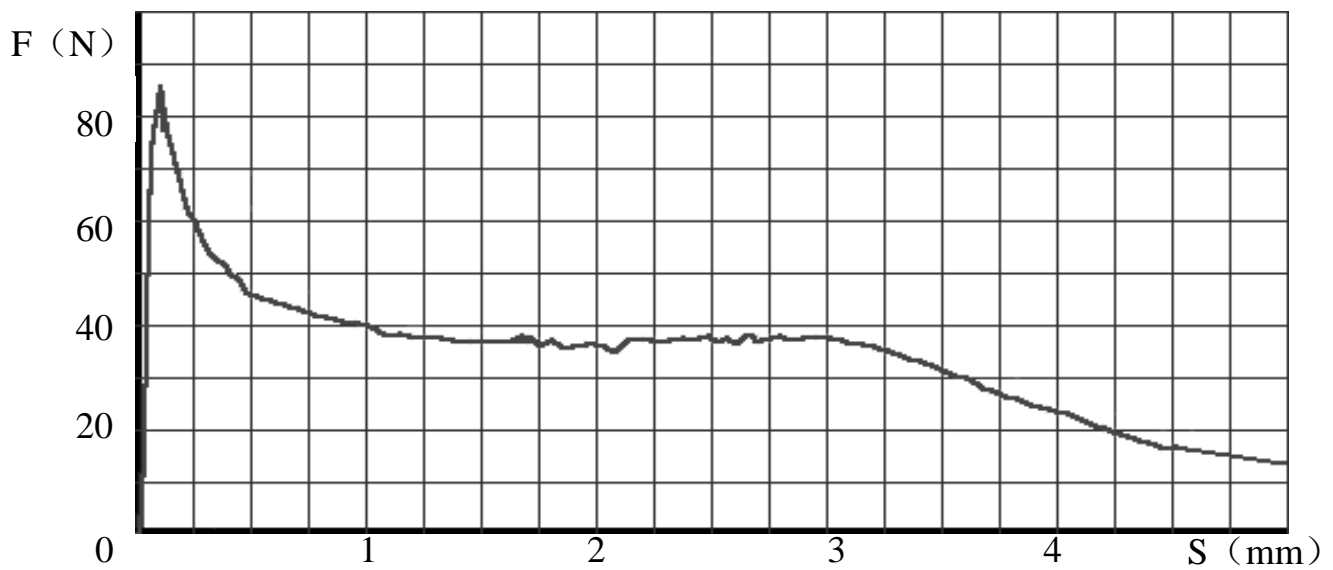
SM-CCBZ-002

Technical Parameters

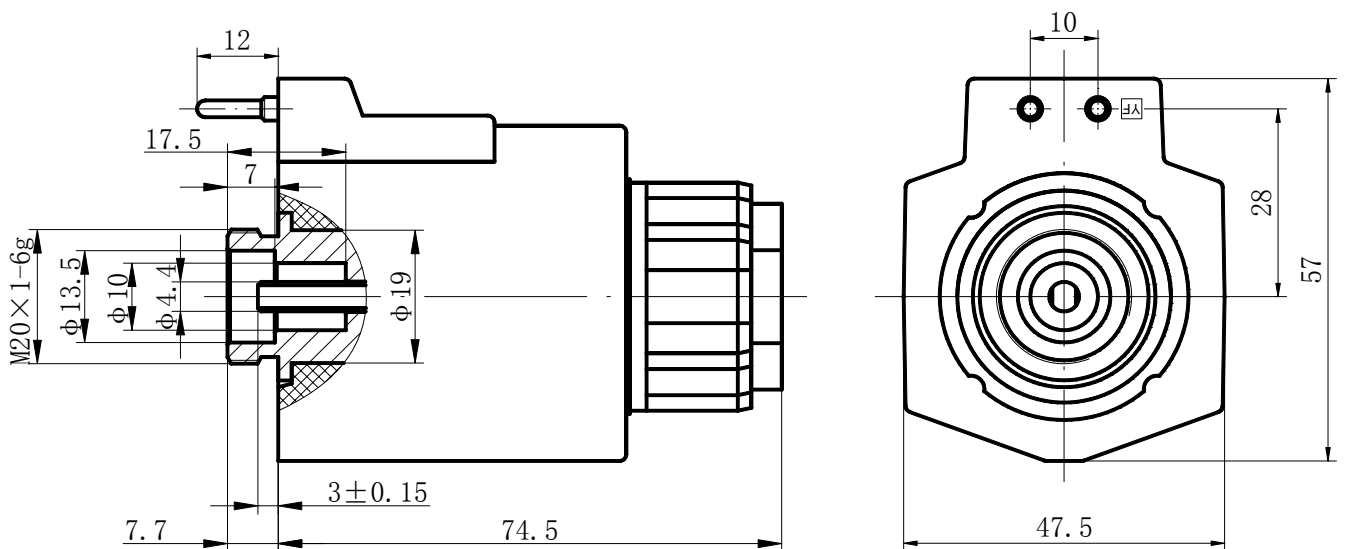
| | | | |
|--------------------|-----------|-------------------------|------|
| Rated Voltage (V) | DC 24 | Power Consumption (W) | 29 |
| Stable Current (A) | 0.87 | Cold Status Current (A) | 1.15 |
| Stable force (N) | ≥ 37 | Duty Time (%) | 100 |
| Full stroke (mm) | ≥ 6 | Rated stroke (mm) | 2.8 |
| Isolation Grade | H/180°C | Temperature Rise (K) | 85 |

Stable S—F CURVE

testing current: 0.87A



Outside shape and installation dimensions



2011. 10. 10