

# Switch Solenoid

Model NO.: MFZ9C-47YC (01 D24)

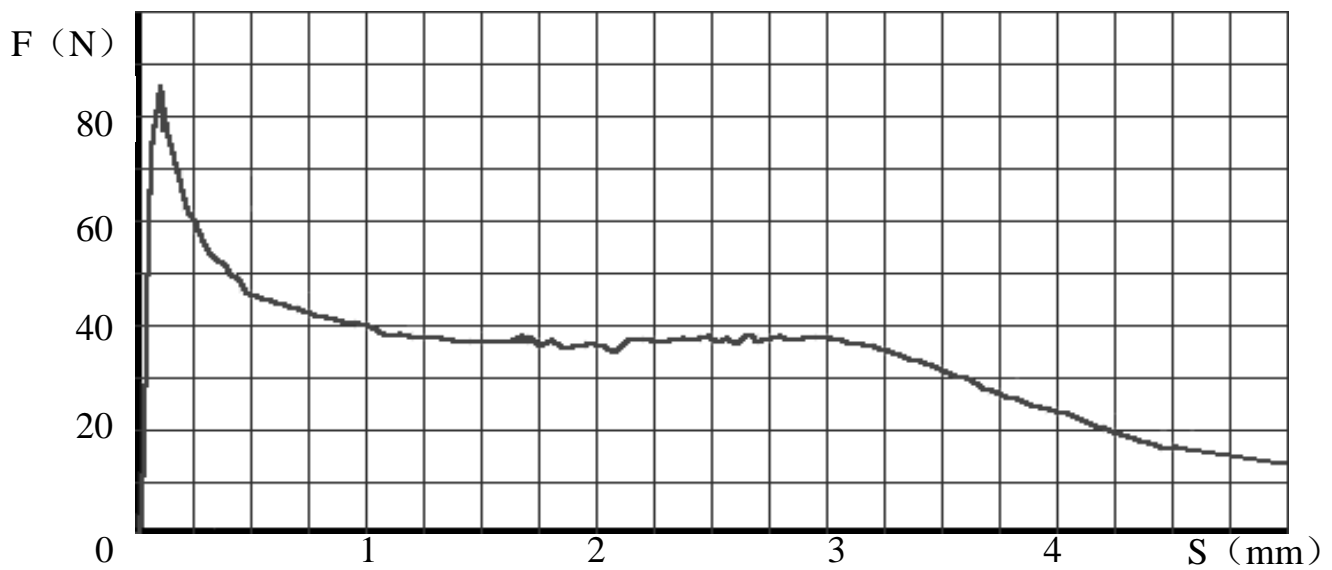
SM-CCBZ-003

## Technical Parameters

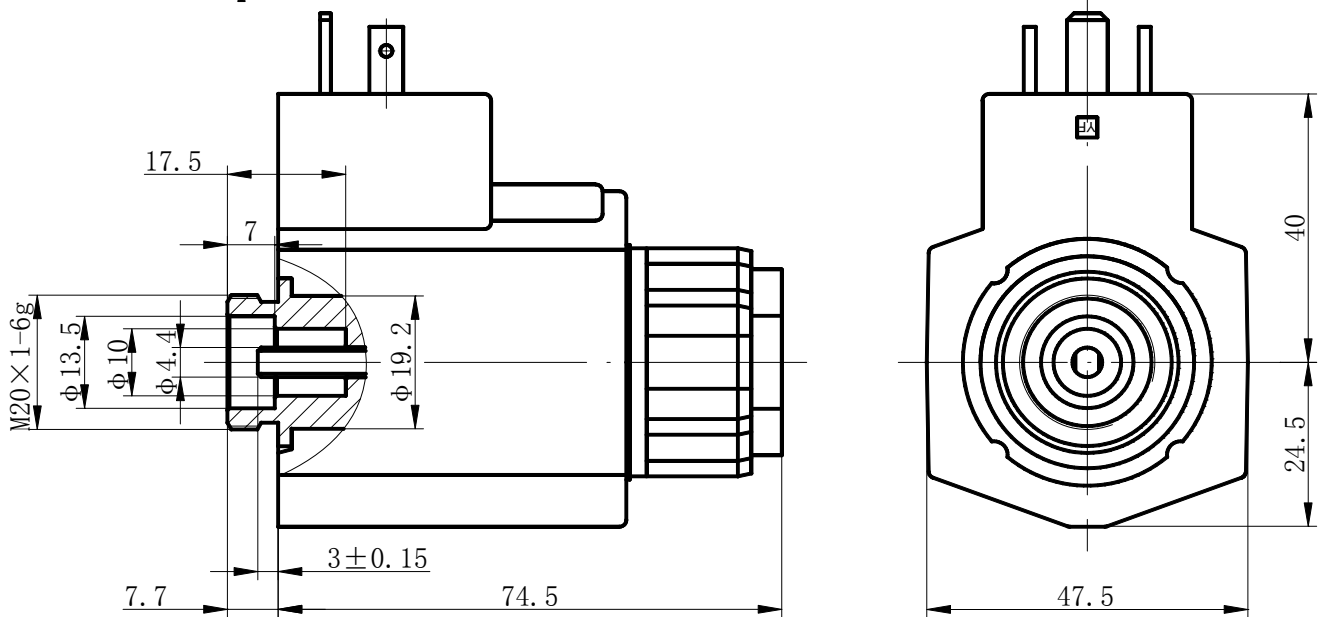
Rated Voltage (V)	DC 24	Power Consumption (W)	29
Stable Current (A)	0.87	Cold Status Current (A)	1.15
Stable force (N)	$\geq 37$	Duty Time (%)	100
Full stroke (mm)	$\geq 6$	Rated stroke (mm)	2.8
Isolation Grade	H/180°C	Temperature Rise (K)	85

## Stable S—F CURVE

testing current: 0.87A



## Outside shape and installation dimensions



2011. 10. 10